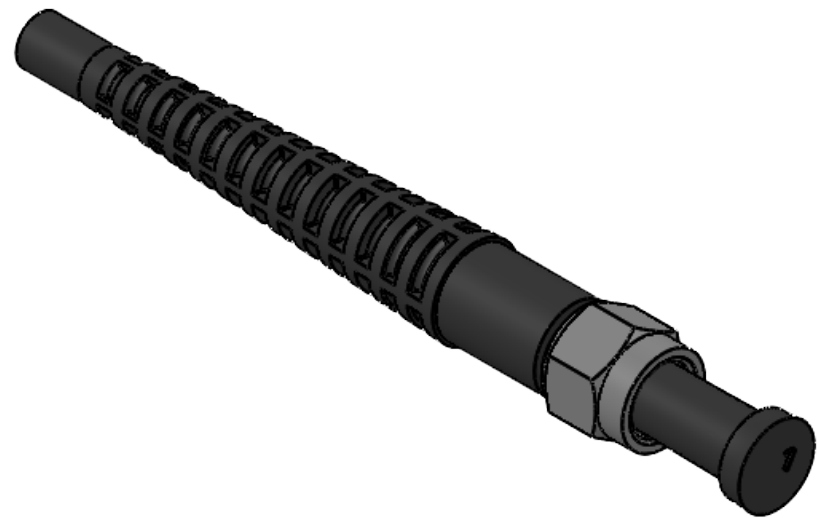


4

3

2

1



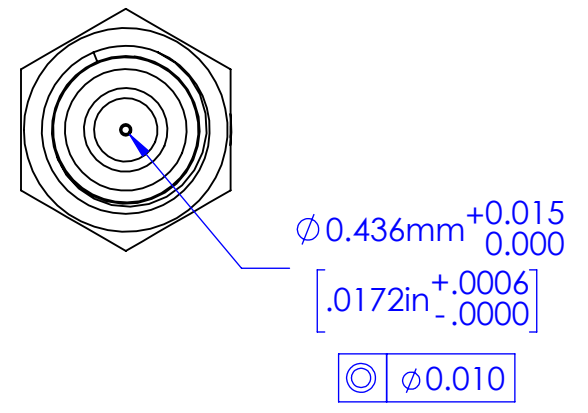
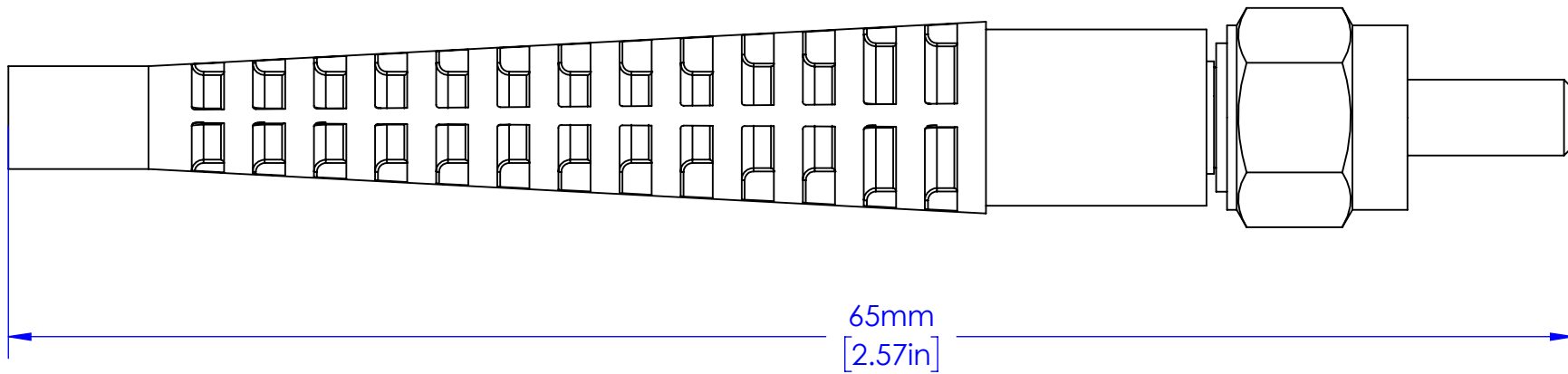
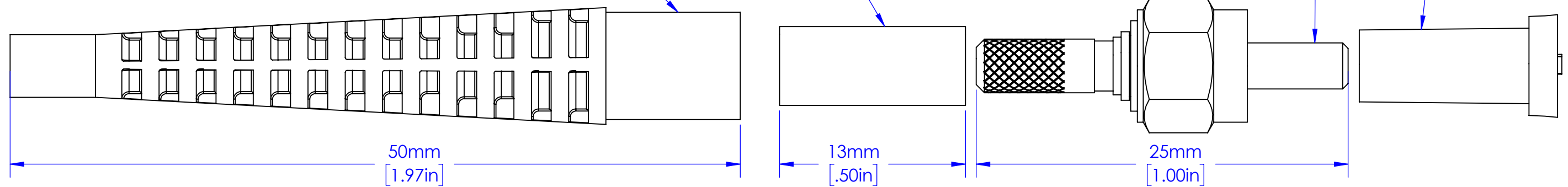
REVISIONS					
REV.	DESCRIPTION	ECO	DATE	DWN	APVD
00	Prerelease		11/14/2023	SA	AR
A	Initial release		4/10/2024	SA	AR

3mm STRAIN RELIEF BOOT

CRIMP RING

SMA CONNECTOR WITH HEX NUT

VENTED DUST CAP



- NOTES:**
- SUITABLE FOR 400/430 GLASS OPTICAL FIBER.
 - RoHS COMPLIANT.
 - 40°C TO +85°C OPERATING TEMPERATURE.
 - IEC 61754-22 COMPATIBLE.
 - STAINLESS STEEL FERRULE AND NUT; NICKEL PLATED COPPER CRIMP RING.
 - MAXIMUM NUT TORQUE: 0.9N-m [8in-lbs].

SURFACE 3.2
TEXTURE:

PROPRIETARY AND CONFIDENTIAL
THE INFORMATION CONTAINED IN THIS DRAWING IS THE SOLE PROPERTY OF INDUSTRIAL FIBER OPTICS. ANY REPRODUCTION IN PART OR AS A WHOLE WITHOUT THE WRITTEN PERMISSION OF INDUSTRIAL FIBER OPTICS IS PROHIBITED.

DIMENSIONS	MILLIMETERS [IN]	UNLESS OTHERWISE SPECIFIED:
0 PLC:	±1.0	Customer:
1 PLC:	±0.3	
2 PLC:	±0.13	
3 PLC:	±0.025	INTERPRET GEOMETRIC TOLERANCING PER: ASME Y14.5-2009
4 PLC:	±0.0127	MATERIAL Not Applicable
ANGLE:	±1/2	FINISH Passivated
APPLICATION		DO NOT SCALE DRAWING

	NAME	DATE
DRAWN	S. Ahmed	11/14/23
CHECKED	A. Reyes	4/10/24
COMMENTS:		
DIMENSIONS ARE FOR REFERENCE ONLY. NO TOLERANCES MAY BE IMPLIED FROM THIS DOCUMENT.		

INDUSTRIAL FIBER OPTICS
TEMPE, AZ 85281

TITLE:
436µm Knurled Connector; 3mm Boot

SIZE	DWG. NO.	REV
B	905-0436-0100	00

SCALE: 1:1 WEIGHT: SHEET 1 OF 1

4

3

2

1