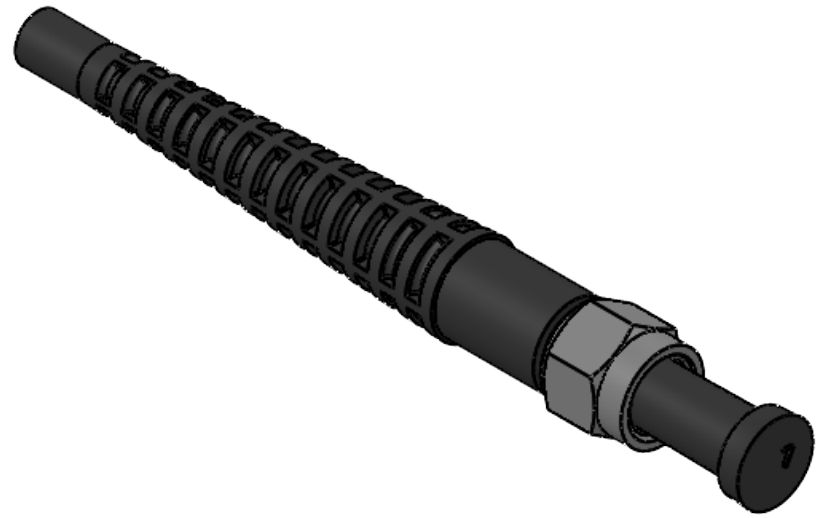


4

3

2

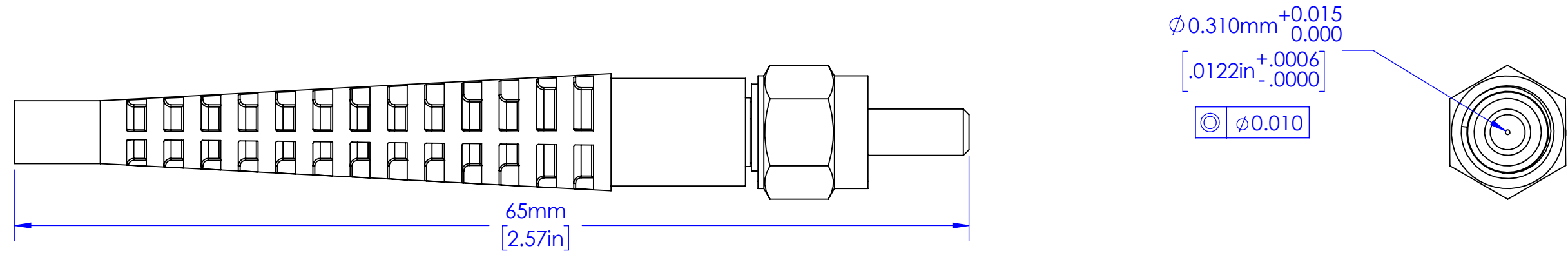
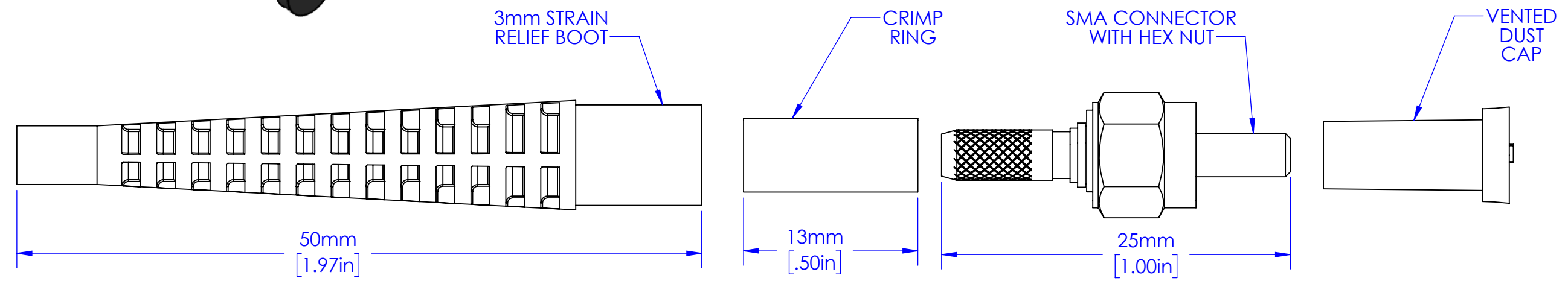
1



REVISIONS					
REV.	DESCRIPTION	ECO	DATE	DWN	APVD
00	Prerelease		5/6/2024	SA	AR
A	Initial release		6/7/2024	SA	AR

B

B



A

A

- NOTES:**
- SUITABLE FOR 272/299 GLASS OPTICAL FIBER.
 - RoHS COMPLIANT.
 - 40°C TO +85°C OPERATING TEMPERATURE.
 - IEC 61754-22 COMPATIBLE.
 - STAINLESS STEEL FERRULE & NUT; NICKEL PLATED COPPER CRIMP RING.
 - MAXIMUM NUT TORQUE: 0.9 N-m [8 in-lbs].

SURFACE 3.2
TEXTURE:

PROPRIETARY AND CONFIDENTIAL
THE INFORMATION CONTAINED IN THIS DRAWING IS THE SOLE PROPERTY OF INDUSTRIAL FIBER OPTICS. ANY REPRODUCTION IN PART OR AS A WHOLE WITHOUT THE WRITTEN PERMISSION OF INDUSTRIAL FIBER OPTICS IS PROHIBITED.

DIMENSIONS		MILLIMETERS [IN]	UNLESS OTHERWISE SPECIFIED:		NAME	DATE	INDUSTRIAL FIBER OPTICS	
0 PLC:		±1.0	Customer:		DRAWN	S. Ahmed	5/6/24	TEMPE, AZ 85281
1 PLC:		±0.3	INTERPRET GEOMETRIC TOLERANCING PER: ASME Y14.5-2009		CHECKED	A. Reyes	6/7/24	TITLE: 310µm Knurled Connector; 3mm Boot
2 PLC:		±0.13			MATERIAL		COMMENTS:	
3 PLC:		±0.025	Not Applicable		DIMENSIONS ARE FOR REFERENCE ONLY.		SIZE DWG. NO. REV B 905-0310-0100 00	
4 PLC:		±0.0127	FINISH		NO TOLERANCES MAY BE IMPLIED FROM THIS DOCUMENT.			
ANGLE:		±1/2	Passivated				SCALE: 1:1	WEIGHT:
APPLICATION			DO NOT SCALE DRAWING				SHEET 1 OF 1	

4

3

2

1