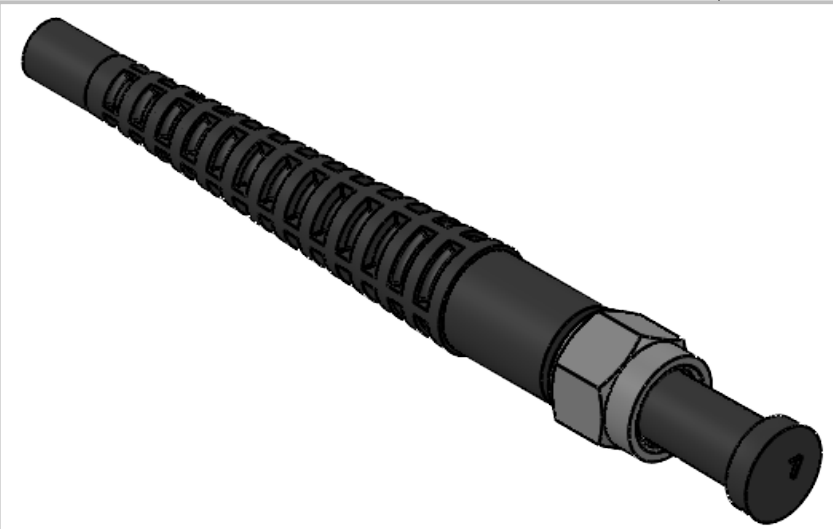


4

3

2

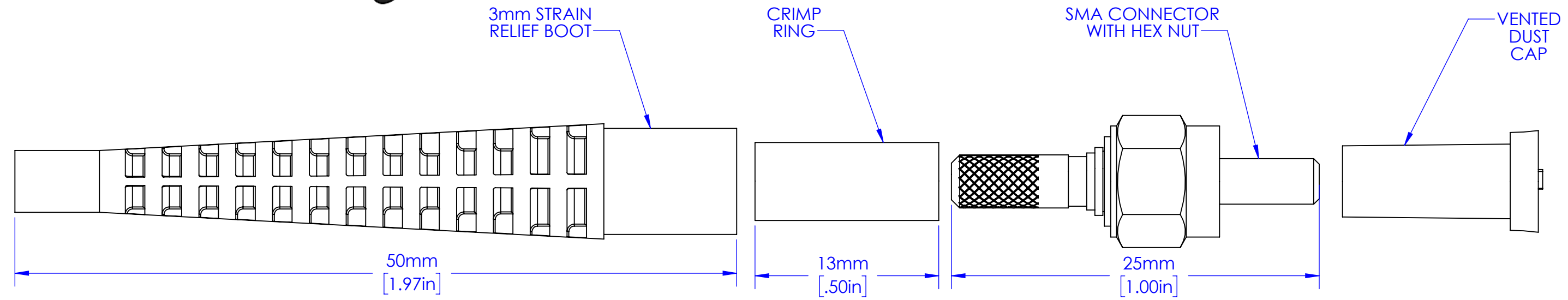
1



REVISIONS					
REV.	DESCRIPTION	ECO	DATE	DWN	APVD
00	Prerelease		11/14/2023	SA	AR
A	Initial release		4/10/2024	SA	AR

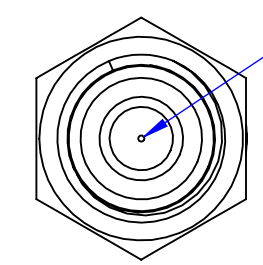
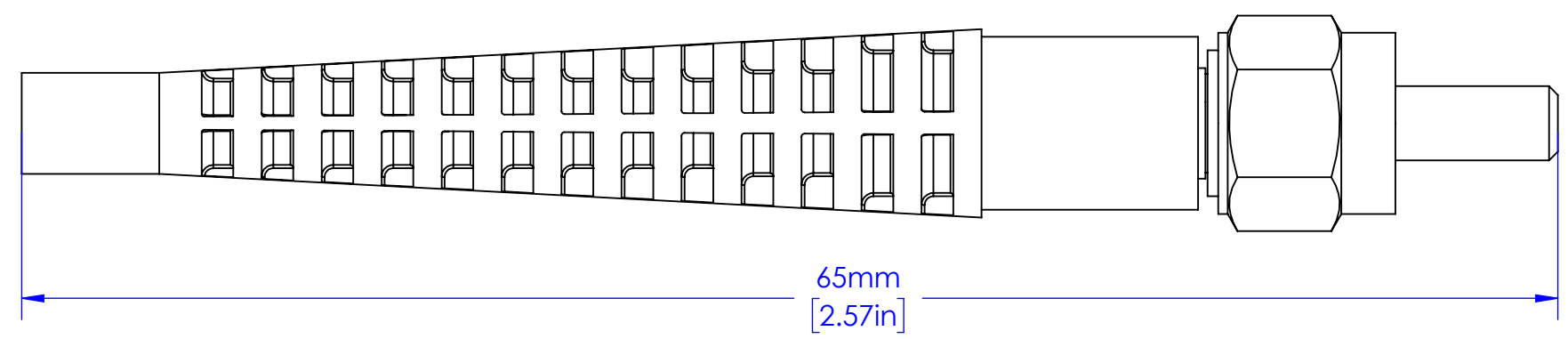
B

B



A

A



- NOTES:**
- SUITABLE FOR 200/230 GLASS OPTICAL FIBER.
 - RoHS COMPLIANT.
 - 40°C TO 85°C OPERATING TEMPERATURE.
 - IEC 61754-22 COMPATIBLE.
 - STAINLESS STEEL FERRULE & NUT; NICKEL PLATED COPPER CRIMP RING.
 - MAXIMUM NUT TORQUE 0.9N-m [8in-lbs].

SURFACE 3.2
TEXTURE:

PROPRIETARY AND CONFIDENTIAL
 THE INFORMATION CONTAINED IN THIS DRAWING IS THE SOLE PROPERTY OF INDUSTRIAL FIBER OPTICS. ANY REPRODUCTION IN PART OR AS A WHOLE WITHOUT THE WRITTEN PERMISSION OF INDUSTRIAL FIBER OPTICS IS PROHIBITED.

DIMENSIONS	MILLIMETERS [IN]	UNLESS OTHERWISE SPECIFIED:	NAME	DATE	INDUSTRIAL FIBER OPTICS TEMPE, AZ 85281	
0 PLC:	±1.0	Customer:	DRAWN	S. Ahmed 11/14/23	TITLE: 231µm Knurled Connector; 3mm Boot	
1 PLC:	±0.3	INTERPRET GEOMETRIC TOLERANCING PER: ASME Y14.5-2009 MATERIAL Not Applicable FINISH Passivated	CHECKED	A. Reyes 4/10/24		
2 PLC:	±0.13		COMMENTS: DIMENSIONS ARE FOR REFERENCE ONLY. NO TOLERANCES MAY BE IMPLIED FROM THIS DOCUMENT.			
3 PLC:	±0.025	APPLICATION			SIZE B DWG. NO. 905-0231-0100 SCALE: 1:1	REV 00 WEIGHT: SHEET 1 OF 1
4 PLC:	±0.0127					
ANGLE:	±1/2					

4

3

2

1