

4

3

2

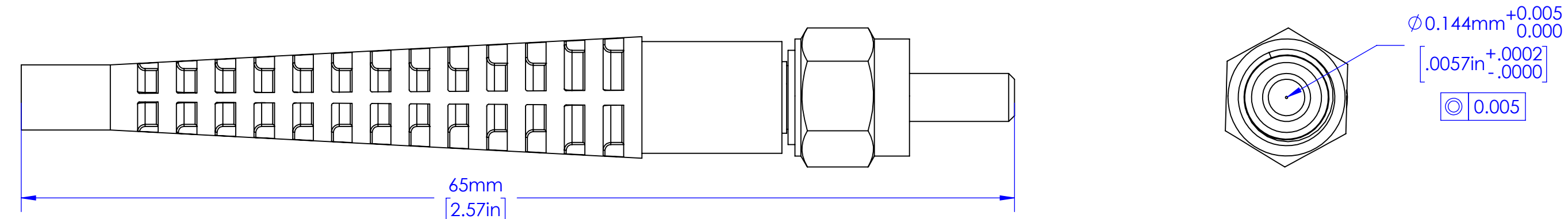
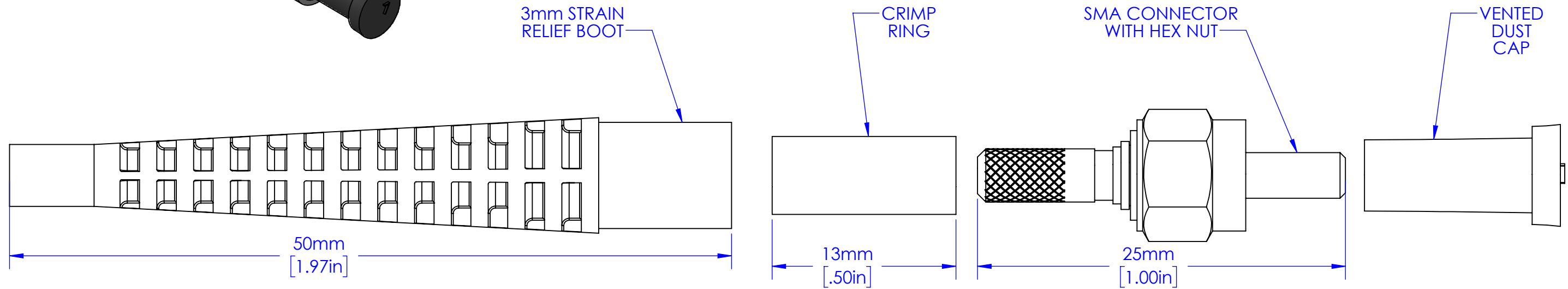
1



REVISIONS					
REV.	DESCRIPTION	ECO	DATE	DWN	APVD
00	Prerelease		11/14/2023	SA	BB
A	Initial release		11/15/2023	SA	BB

B

B



A

A

NOTES:

- SUITABLE FOR 100/140 GLASS OPTICAL FIBER.
- RoHS COMPLIANT.
- 40°C TO +85°C OPERATING TEMPERATURE.
- IEC 61754-22 COMPATIBLE.
- STAINLESS STEEL FERRULE AND NUT; NICKEL PLATED COPPER CRIMP RING.
- MAXIMUM NUT TORQUE: 0.9N-m [8in-lbs].

PROPRIETARY AND CONFIDENTIAL
 THE INFORMATION CONTAINED IN THIS DRAWING IS THE SOLE PROPERTY OF INDUSTRIAL FIBER OPTICS. ANY REPRODUCTION IN PART OR AS A WHOLE WITHOUT THE WRITTEN PERMISSION OF INDUSTRIAL FIBER OPTICS IS PROHIBITED.

DIMENSIONS	MILLIMETERS [IN]	UNLESS OTHERWISE SPECIFIED:	NAME	DATE	INDUSTRIAL FIBER OPTICS TEMPE, AZ 85281			
0 PLC:	±1.0	Customer:	DRAWN	S. Ahmed 11/14/23	TITLE: 144µm Connector; 3mm Boot			
1 PLC:	±0.3		CHECKED	B. Bidwell 11/15/23				
2 PLC:	±0.13	INTERPRET GEOMETRIC TOLERANCING PER:ASME Y14.5-2009	COMMENTS: DIMENSIONS ARE FOR REFERENCE ONLY. NO TOLERANCES MAY BE IMPLIED FROM THIS DOCUMENT.		SIZE	DWG. NO.		
3 PLC:	±0.025	MATERIAL			B	905-0144-0100	REV	A
4 PLC:	±0.0127	Not Applicable						
ANGLE:	±1/2	FINISH						
APPLICATION		Passivated						
		DO NOT SCALE DRAWING						
			SCALE: 1:1		WEIGHT:	SHEET 1 OF 1		

4

3

2

1