

4

3

2

1



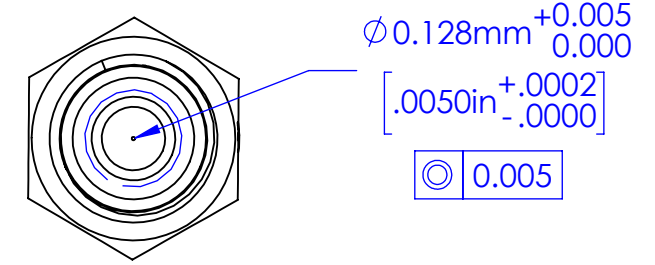
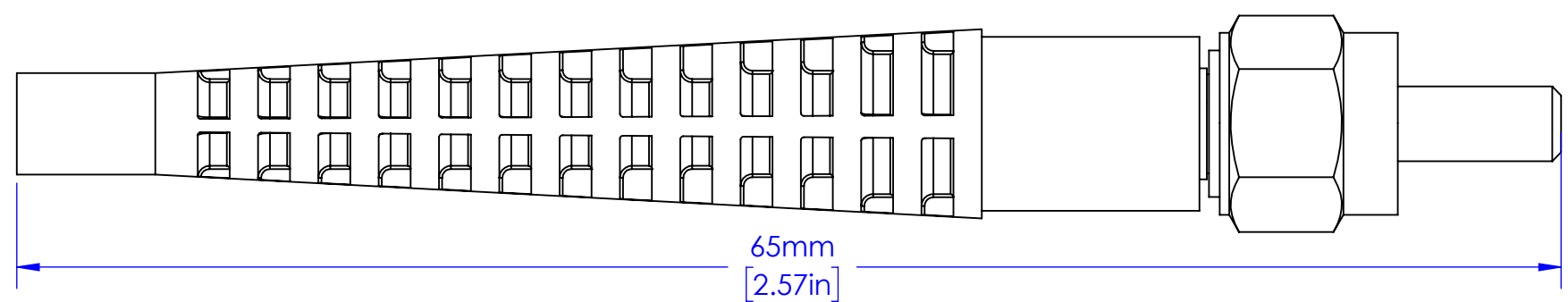
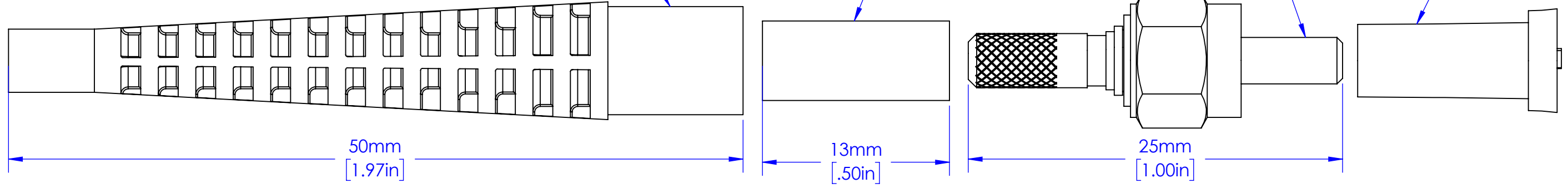
REVISIONS					
REV.	DESCRIPTION	ECO	DATE	DWN	APVD
00	Prerelease		11/9/2023	SA	BB
A	Initial Release		11/15/2023	SA	BB

3mm STRAIN RELIEF BOOT

CRIMP RING

SMA CONNECTOR WITH HEX NUT

VENTED DUST CAP



- NOTES:**
- SUITABLE FOR 100/120 GLASS OPTICAL FIBER.
 - RoHS COMPLIANT.
 - 40°C TO +85°C OPERATING TEMPERATURE.
 - IEC 61754-22 COMPATIBLE.
 - STAINLESS STEEL FERRULE & NUT; NICKEL PLATED COPPER CRIMP RING.
 - MAXIMUM NUT TORQUE: 0.9N-m [8in-lbs].

PROPRIETARY AND CONFIDENTIAL
 THE INFORMATION CONTAINED IN THIS DRAWING IS THE SOLE PROPERTY OF INDUSTRIAL FIBER OPTICS. ANY REPRODUCTION IN PART OR AS A WHOLE WITHOUT THE WRITTEN PERMISSION OF INDUSTRIAL FIBER OPTICS IS PROHIBITED.

DIMENSIONS		MILLIMETERS [IN]	UNLESS OTHERWISE SPECIFIED:		NAME	DATE	INDUSTRIAL FIBER OPTICS		
0 PLC:		±1.0	Customer:		DRAWN	S. Ahmed 11/9/23	TEMPE, AZ 85281		
1 PLC:		±0.3	INTERPRET GEOMETRIC TOLERANCING PER:ASME Y14.5-2009		CHECKED	B. Bidwell 11/15/23	TITLE:		
2 PLC:		±0.13			COMMENTS:		DIMENSIONS ARE FOR REFERENCE ONLY. NO TOLERANCES MAY BE IMPLIED FROM THIS DOCUMENT.		128µm Connector; 3mm Boot
3 PLC:		±0.025	MATERIAL				SIZE	DWG. NO.	REV
4 PLC:		±0.0127	Not Applicable				B	905-0128-0100	A
ANGLE:		±1/2	FINISH				SCALE: 1:1	WEIGHT:	SHEET 1 OF 1
APPLICATION			DO NOT SCALE DRAWING						

4

3

2

1