

4

3

2

1

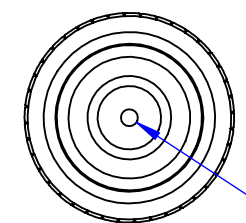
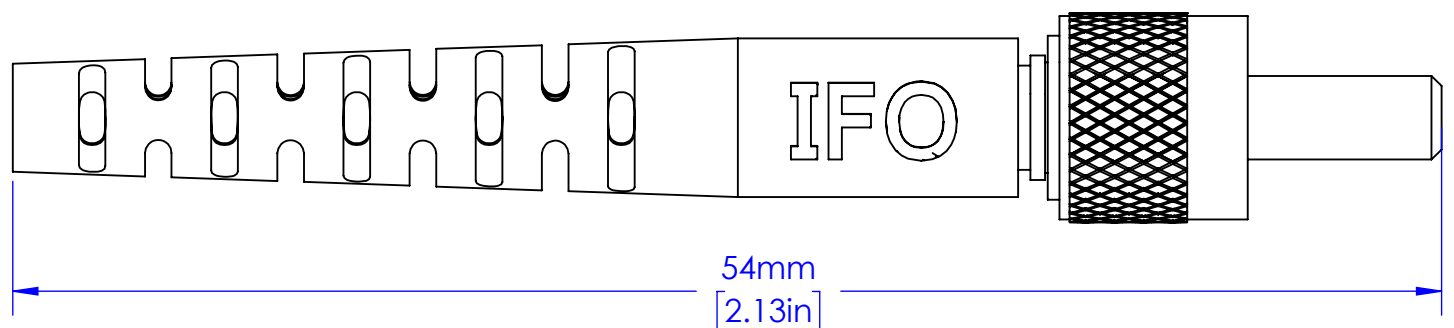
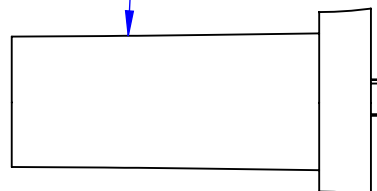
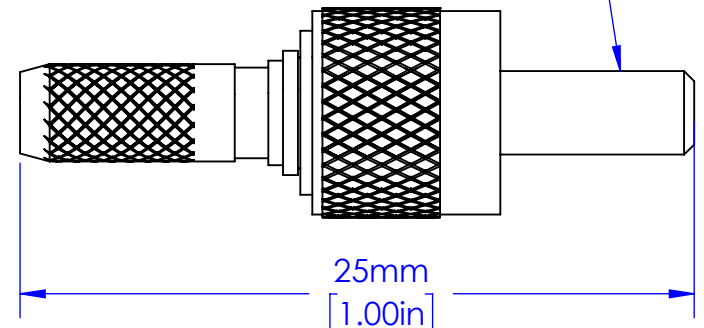
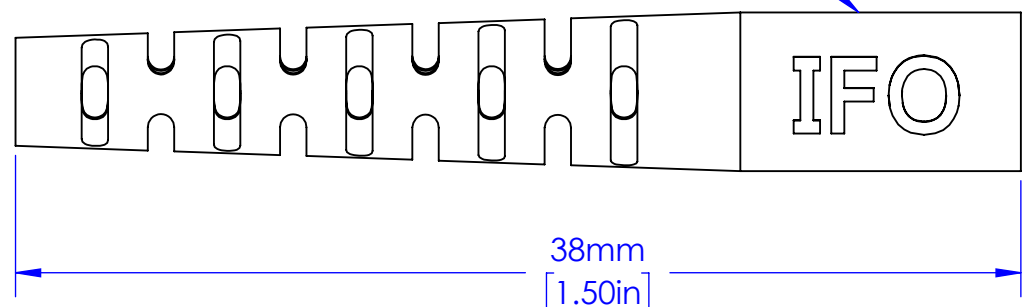


REVISIONS					
REV.	DESCRIPTION	ECO	DATE	DWN	APVD
00	Prerelease		4/11/2024	SA	AR
00	Initial release		4/11/2024	SA	AR

2mm STRAIN RELIEF BOOT

SMA CONNECTOR

VENTED DUST CAP



$\phi 0.641\text{mm}^{+0.015}_{0.000}$
 $[\text{.0252in}^{+.0006}_{-.0000}]$

- NOTES:
- SUITABLE FOR 600/630 GLASS OPTICAL FIBER.
 - RoHS COMPLIANT.
 - 40°C TO +85°C OPERATING TEMPERATURE.
 - IEC 61754-22 COMPATIBLE.
 - STAINLESS STEEL FERRULE AND NUT.
 - MAXIMUM NUT TORQUE: 0.9N-m [8 in-lbs].

SURFACE 3.2
 TEXTURE:

PROPRIETARY AND CONFIDENTIAL
 THE INFORMATION CONTAINED IN THIS DRAWING IS THE SOLE PROPERTY OF INDUSTRIAL FIBER OPTICS. ANY REPRODUCTION IN PART OR AS A WHOLE WITHOUT THE WRITTEN PERMISSION OF INDUSTRIAL FIBER OPTICS IS PROHIBITED.

DIMENSIONS	MILLIMETERS [IN]	UNLESS OTHERWISE SPECIFIED:
0 PLC:	±1.0	Customer:
1 PLC:	±0.3	
2 PLC:	±0.13	
3 PLC:	±0.025	INTERPRET GEOMETRIC TOLERANCING PER: ASME Y14.5-2009
4 PLC:	±0.0127	MATERIAL Not Applicable
ANGLE:	±1/2	FINISH Passivated
APPLICATION		DO NOT SCALE DRAWING

	NAME	DATE
DRAWN	S. Ahmed	4/11/24
CHECKED	A. Reyes	4/11/24

COMMENTS:
 DIMENSIONS ARE FOR REFERENCE ONLY.
 NO TOLERANCES MAY BE IMPLIED FROM THIS DOCUMENT.

INDUSTRIAL FIBER OPTICS		
TEMPE, AZ 85281		
TITLE: 641µm Knurled Connector; 2mm Boot		
SIZE	DWG. NO.	REV
B	905-0641-0010	00
SCALE: 1:1	WEIGHT:	SHEET 1 OF 1

4

3

2

1