

4

3

2

1

REVISIONS					
REV.	DESCRIPTION	ECO	DATE	DWN	APVD
00	Prerelease		9/20/2023	SA	BB
A	Initial release		10/03/2023	SA	BB

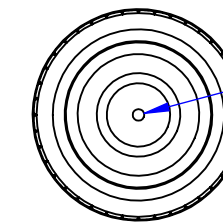
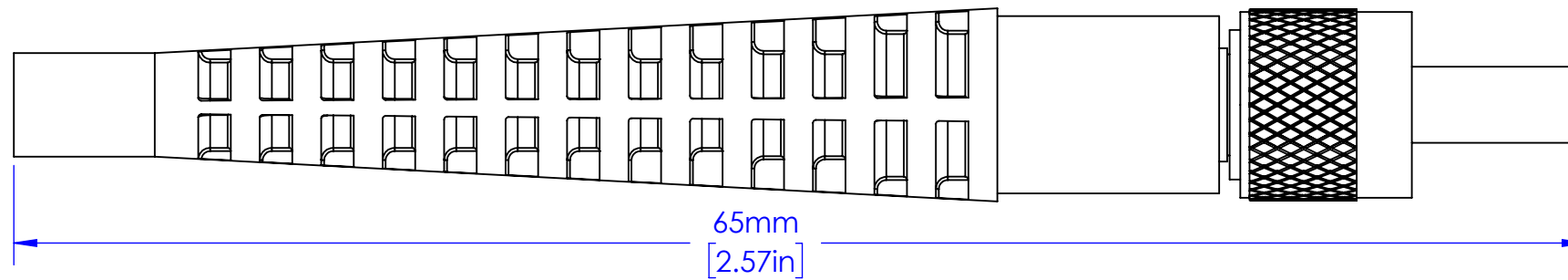
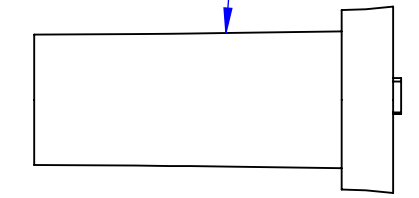
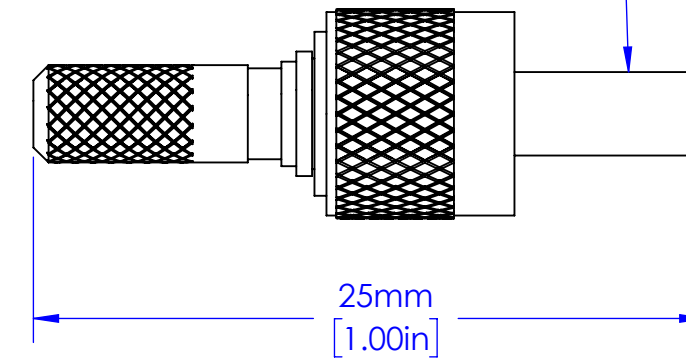
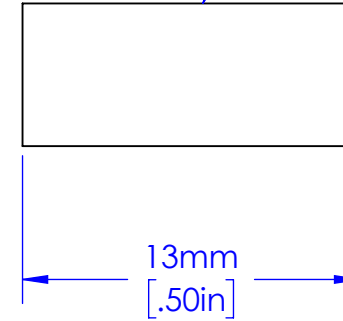
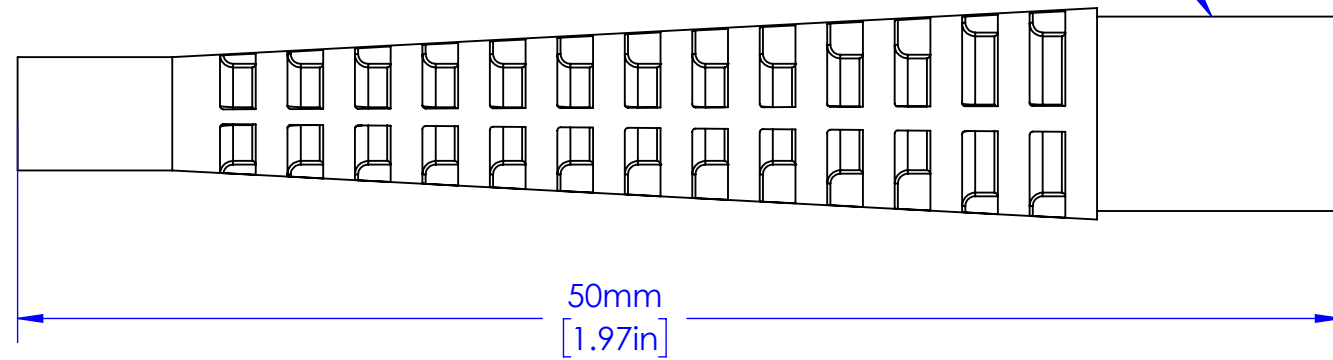


3mm STRAIN RELIEF BOOT

CRIMP RING

SMA CONNECTOR

VENTED DUST CAP



NOTES:

- SUITABLE FOR 400/430 GLASS OPTICAL FIBER
- RoHS COMPLAINT.
- 40°C TO +85°C OPERATING TEMPERATURE.
- IEC 61754-22 COMPATIBLE.
- STAINLESS STEEL FERRULE & NUT; NICKEL PLATED COPPER CRIMP RING.
- MAXIMUM NUT TORQUE: 0.9N-m [8in-lbs].

PROPRIETARY AND CONFIDENTIAL

THE INFORMATION CONTAINED IN THIS DRAWING IS THE SOLE PROPERTY OF INDUSTRIAL FIBER OPTICS. ANY REPRODUCTION IN PART OR AS A WHOLE WITHOUT THE WRITTEN PERMISSION OF INDUSTRIAL FIBER OPTICS IS PROHIBITED.

DIMENSIONS	MILLIMETERS [IN]	UNLESS OTHERWISE SPECIFIED:	NAME	DATE	INDUSTRIAL FIBER OPTICS TEMPE, AZ 85281	
0 PLC:	±1.0	Customer:	DRAWN	S. Ahmed	9/20/23	TITLE: 436µm Knurled Connector; 3mm Boot
1 PLC:	±0.3		CHECKED	B. Bidwell	9/22/23	
2 PLC:	±0.13	INTERPRET GEOMETRIC TOLERANCING PER: ASME Y14.5-2009	COMMENTS: REMOVE BURRS AND SHARP EDGES BREAK EDGES 0.13mm MAX FLATNESS 0.13mm PER mm ALL DIMENSIONS AFTER FINISH			SIZE
3 PLC:	±0.025	MATERIAL				DWG. NO.
4 PLC:	±0.0127	Not Applicable				REV
ANGLE:	±1/2	FINISH	Passivated			A
APPLICATION		DO NOT SCALE DRAWING	SCALE: 1:1			WEIGHT:
						SHEET 1 OF 1

4

3

2

1