

4

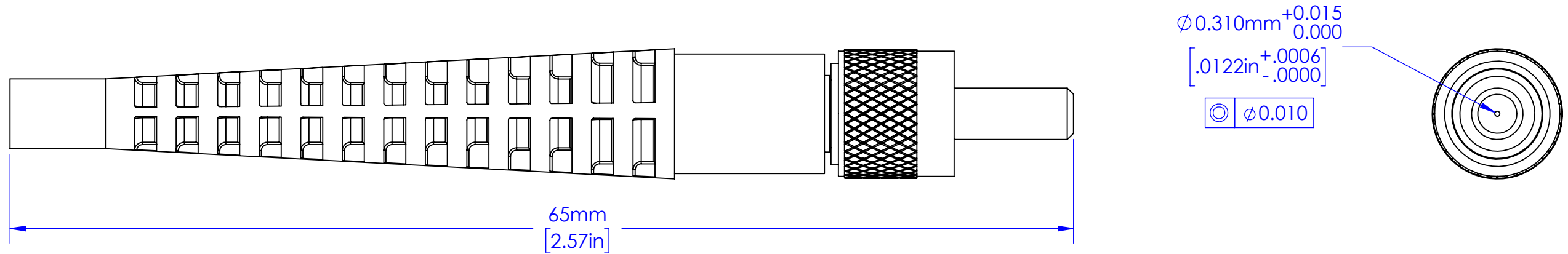
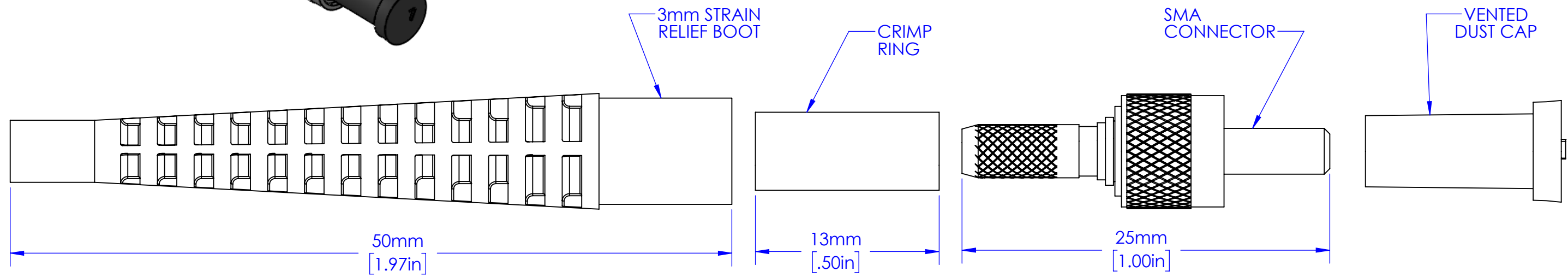
3

2

1



REVISIONS					
REV.	DESCRIPTION	ECO	DATE	DWN	APVD
00	Prerelease		5/2/2024	SA	AR
A	Initial release		6/7/2024	SA	AR



- NOTES:**
- SUITABLE FOR 272/299 GLASS OPTICAL FIBER.
 - RoHS COMPLIANT.
 - 40° TO +85°C OPERATING TEMPERATURE.
 - IEC 61754-22 COMPATIBLE.
 - STAINLESS STEEL FERRULE & NUT; NICKEL PLATED COPPER CRIMP RING.
 - MAXIMUM NUT TORQUE: 0.9 N-m [8 in-lbs].

SURFACE 3.2
TEXTURE:

PROPRIETARY AND CONFIDENTIAL
THE INFORMATION CONTAINED IN THIS DRAWING IS THE SOLE PROPERTY OF INDUSTRIAL FIBER OPTICS. ANY REPRODUCTION IN PART OR AS A WHOLE WITHOUT THE WRITTEN PERMISSION OF INDUSTRIAL FIBER OPTICS IS PROHIBITED.

DIMENSIONS	MILLIMETERS [IN]	UNLESS OTHERWISE SPECIFIED:
0 PLC:	±1.0	Customer:
1 PLC:	±0.3	
2 PLC:	±0.13	
3 PLC:	±0.025	INTERPRET GEOMETRIC TOLERANCING PER: ASME Y14.5-2009
4 PLC:	±0.0127	MATERIAL: Not Applicable
ANGLE:	±1/2	FINISH: Passivated
APPLICATION		DO NOT SCALE DRAWING

	NAME	DATE
DRAWN	S. Ahmed	5/2/24
CHECKED	A. Reyes	6/7/24
COMMENTS:		
DIMENSIONS ARE FOR REFERENCE ONLY. NO TOLERANCES MAY BE IMPLIED FROM THIS DOCUMENT.		

INDUSTRIAL FIBER OPTICS TEMPE, AZ 85281		
TITLE: 310µm Knurled Connector; 3mm Boot		
SIZE B	DWG. NO. 905-0310-0000	REV 00
SCALE: 1:1 WEIGHT:		SHEET 1 OF 1

4

3

2

1

B

B

A

A