

4

3

2

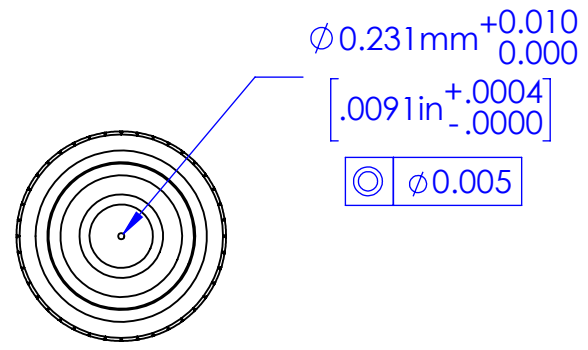
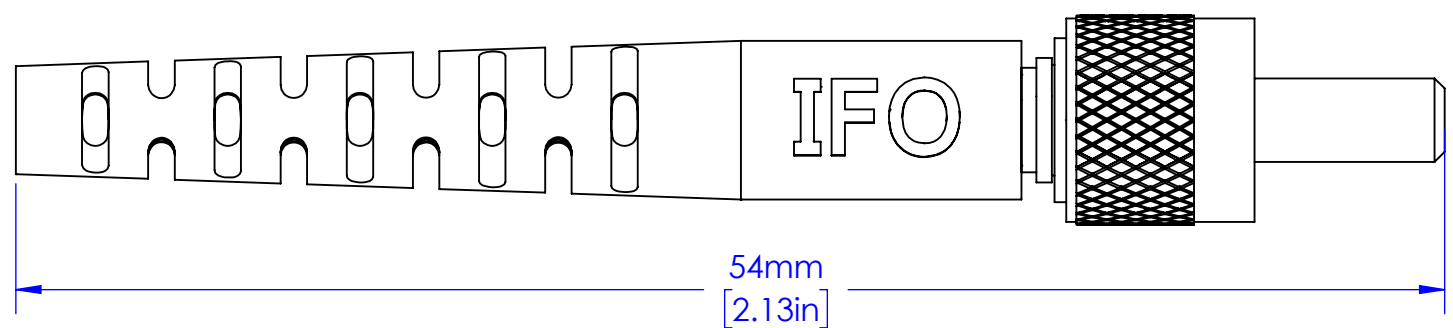
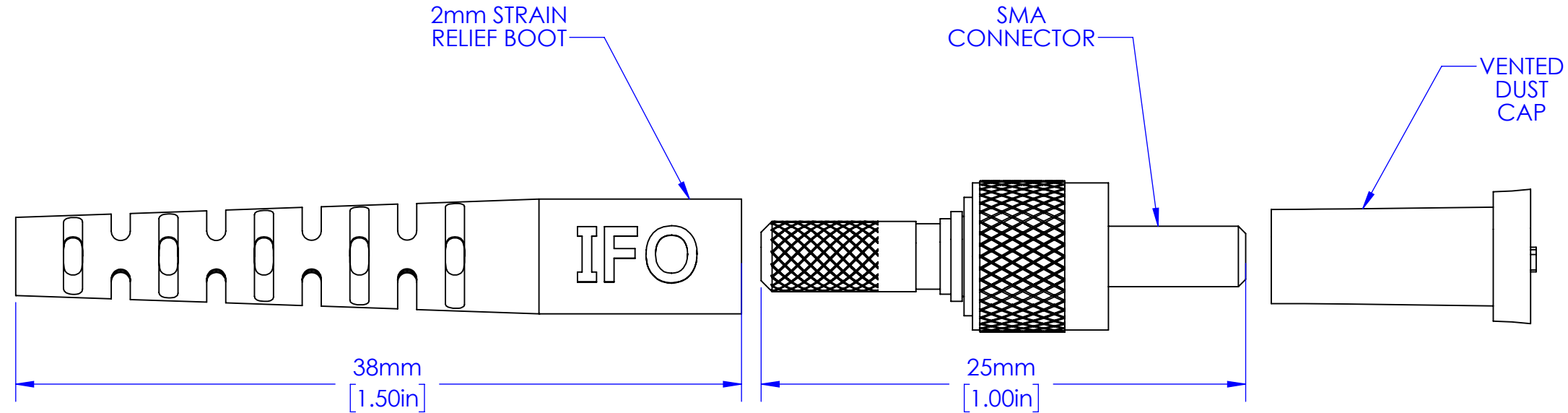
1



REVISIONS					
REV.	DESCRIPTION	ECO	DATE	DWN	APVD
00	Prerelease		9/22/2023	SA	BB
A	Initial release		10/2/2023	SA	BB

B

B



- NOTES:**
- SUITABLE FOR 200/230 GLASS OPTICAL FIBER.
 - RoHS COMPLIANT.
 - 40°C TO +85°C OPERATING TEMPERATURE.
 - IEC 61754-22 COMPATIBLE.
 - STAINLESS STEEL FERRULE AND NUT.
 - MAXIMUM NUT TORQUE: 0.9N-m [8in-lbs].

PROPRIETARY AND CONFIDENTIAL
 THE INFORMATION CONTAINED IN THIS DRAWING IS THE SOLE PROPERTY OF INDUSTRIAL FIBER OPTICS. ANY REPRODUCTION IN PART OR AS A WHOLE WITHOUT THE WRITTEN PERMISSION OF INDUSTRIAL FIBER OPTICS IS PROHIBITED.

DIMENSIONS	MILLIMETERS [IN]	UNLESS OTHERWISE SPECIFIED:	NAME	DATE	INDUSTRIAL FIBER OPTICS TEMPE, AZ 85281	
0 PLC:	±1.0	Customer:	DRAWN	S. Ahmed	10/2/23	TITLE: 231µm Knurled Connector; 2mm Boot
1 PLC:	±0.3		CHECKED	B. Bidwell	10/3/23	
2 PLC:	±0.13		COMMENTS:			
3 PLC:	±0.025	INTERPRET GEOMETRIC TOLERANCING PER:ASME Y14.5-2009	DIMENSIONS ARE FOR REFERENCE ONLY.			SIZE DWG. NO. B 905-0231-0010
4 PLC:	±0.0127	MATERIAL	NO TOLERANCES MAY BE IMPLIED FROM THIS DOCUMENT.			
ANGLE:	±1/2	FINISH	Passivated			SCALE: 2:1
APPLICATION		DO NOT SCALE DRAWING		WEIGHT:		SHEET 1 OF 1

4

3

2

1

A

A