

4

3

2

1

REVISIONS					
REV.	DESCRIPTION	ECO	DATE	DWN	APVD
00	Prerelease		9/13/2023	SA	BB
A	Initial release		9/28/2023	SA	BB

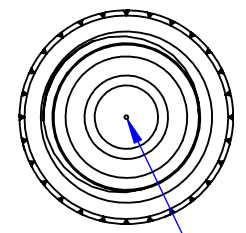
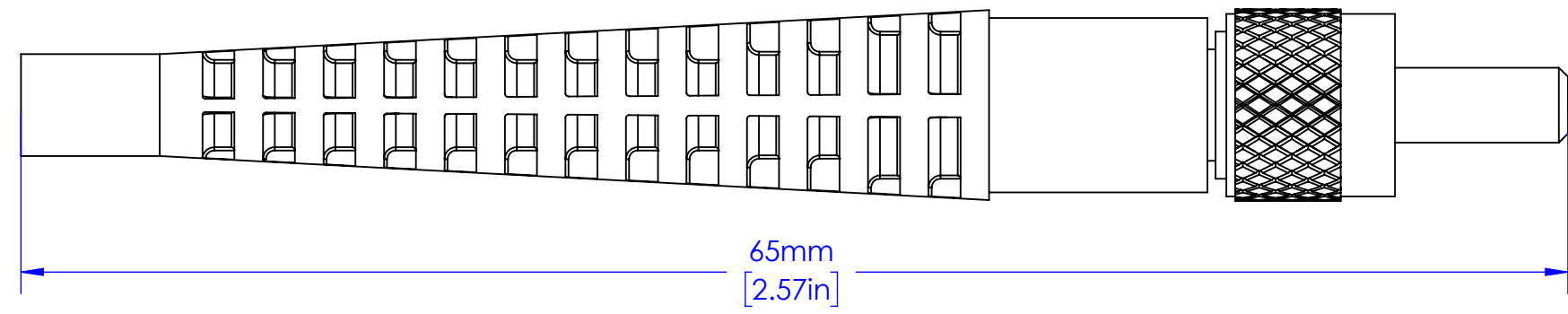
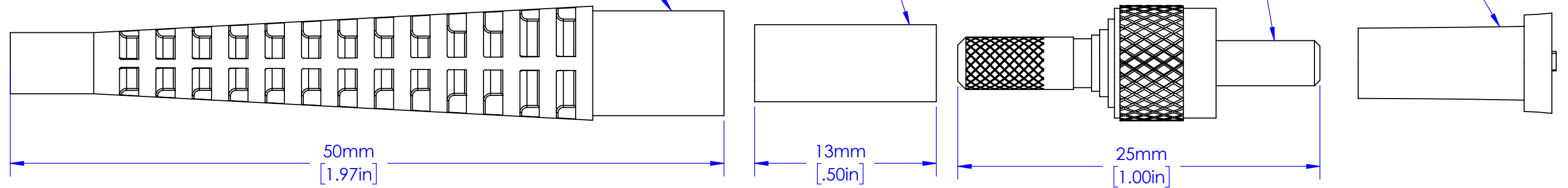


3mm STRAIN RELIEF BOOT

CRIMP RING

SMA CONNECTOR

VENTED DUST CAP



$\phi 0.144\text{mm}^{+0.005}_{0.000}$
 $[\text{.0057in}^{+.0002}_{-.0000}]$
 $\phi 0.005$

NOTES:
 1. SUITABLE FOR 100/140 GLASS OPTICAL FIBER.
 2. RoHS COMPLIANT.
 3. -40°C TO +85°C OPERATING TEMPERATURE.
 4. IEC 61754-22 COMPATIBLE.
 5. STAINLESS STEEL FERRULE AND NUT; NICKEL PLATED COPPER CRIMP RING.
 6. MAXIMUM NUT TORQUE: 0.9N-m [8in-lbs].

PROPRIETARY AND CONFIDENTIAL
 THE INFORMATION CONTAINED IN THIS DRAWING IS THE SOLE PROPERTY OF INDUSTRIAL FIBER OPTICS. ANY REPRODUCTION IN PART OR AS A WHOLE WITHOUT THE WRITTEN PERMISSION OF INDUSTRIAL FIBER OPTICS IS PROHIBITED.

DIMENSIONS	MILLIMETERS [IN]	UNLESS OTHERWISE SPECIFIED:
0 PLC:	±1.0	Customer:
1 PLC:	±0.3	
2 PLC:	±0.13	
3 PLC:	±0.025	INTERPRET GEOMETRIC TOLERANCING PER:ASME Y14.5-2009
4 PLC:	±0.0127	MATERIAL Not Applicable
ANGLE:	±1/2	FINISH Passivated
APPLICATION		DO NOT SCALE DRAWING

	NAME	DATE
DRAWN	S. Ahmed	9/13/23
CHECKED	B. Bidwell	9/22/23
COMMENTS: DIMENSIONS ARE FOR REFERENCE ONLY. NO TOLERANCES MAY BE IMPLIED FROM THIS DOCUMENT.		

INDUSTRIAL FIBER OPTICS TEMPE, AZ 85281		
TITLE: 144µm Knurled Connector; 3mm Boot		
SIZE B	DWG. NO. 905-0144-0000	REV A
SCALE: 1:1 WEIGHT:		SHEET 1 OF 1

4

3

2

1