

4

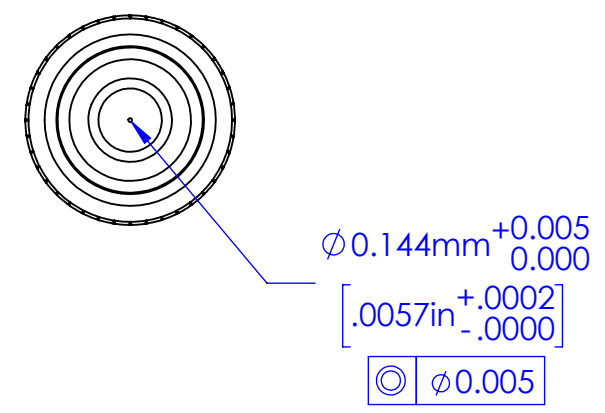
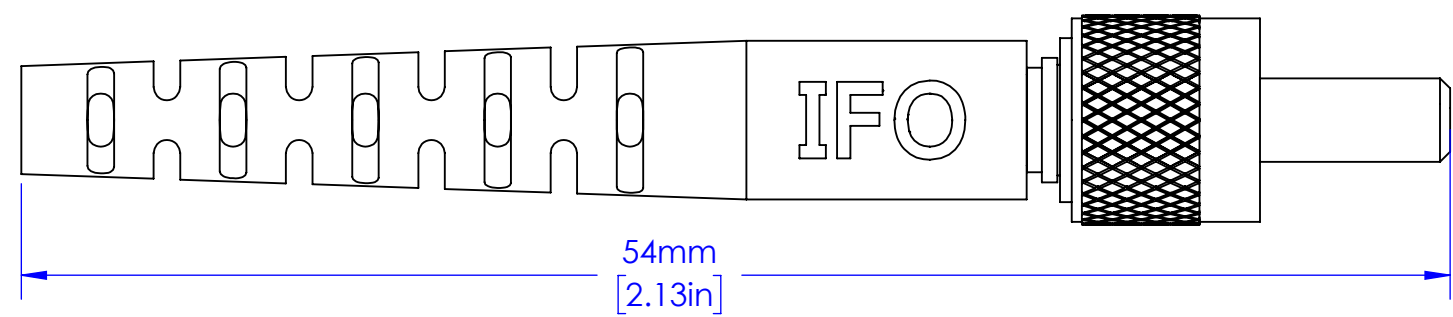
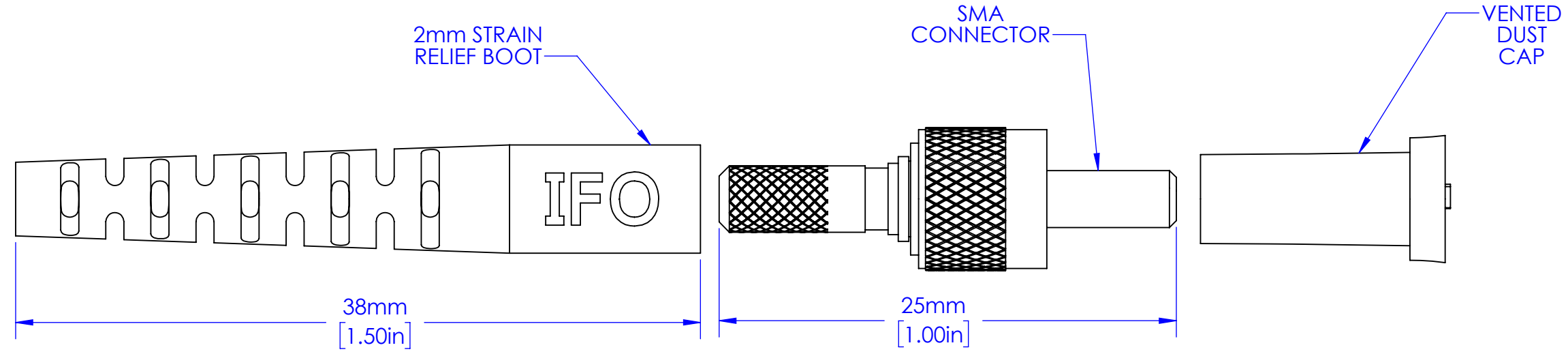
3

2

1



REVISIONS					
REV.	DESCRIPTION	ECO	DATE	DWN	APVD
00	Prerelease		9/13/2023	SA	BB
A	Initial release		9/22/2023	SA	BB



- Notes:
- SUITABLE FOR 100/140 GLASS OPTICAL FIBER.
  - RoHS COMPLIANT.
  - 40°C TO +85°C OPERATING TEMPERATURE.
  - IEC 61754-22 COMPATIBLE.
  - STAINLESS STEEL FERRULE AND NUT.
  - MAXIMUM NUT TORQUE: 0.9N-m [8in-lbs].

**PROPRIETARY AND CONFIDENTIAL**  
 THE INFORMATION CONTAINED IN THIS DRAWING IS THE SOLE PROPERTY OF INDUSTRIAL FIBER OPTICS. ANY REPRODUCTION IN PART OR AS A WHOLE WITHOUT THE WRITTEN PERMISSION OF INDUSTRIAL FIBER OPTICS IS PROHIBITED.

DIMENSIONS	MILLIMETERS [IN]	UNLESS OTHERWISE SPECIFIED:	NAME	DATE	INDUSTRIAL FIBER OPTICS TEMPE, AZ 85281		
0 PLC:	±1.0	Customer:	DRAWN	S. Ahmed 9/13/22	<b>TITLE:</b> 144µm Knurled Connector; 2mm Boot		
1 PLC:	±0.3	INTERPRET GEOMETRIC TOLERANCING PER:ASME Y14.5-2009	CHECKED	B. Bidwell 9/22/23			
2 PLC:	±0.13		COMMENTS:				
3 PLC:	±0.025	MATERIAL	DIMENSIONS ARE FOR REFERENCE ONLY. NO TOLERANCE MAY BE IMPLIED FROM THIS DOCUMENT.				
4 PLC:	±0.0127	Not Applicable			SIZE	DWG. NO.	REV
ANGLE:	±1/2	FINISH	Passivated		B	905-0144-0010	A
APPLICATION		DO NOT SCALE DRAWING		SCALE: 2:1		WEIGHT:	SHEET 1 OF 1

4

3

2

1