

4

3

2

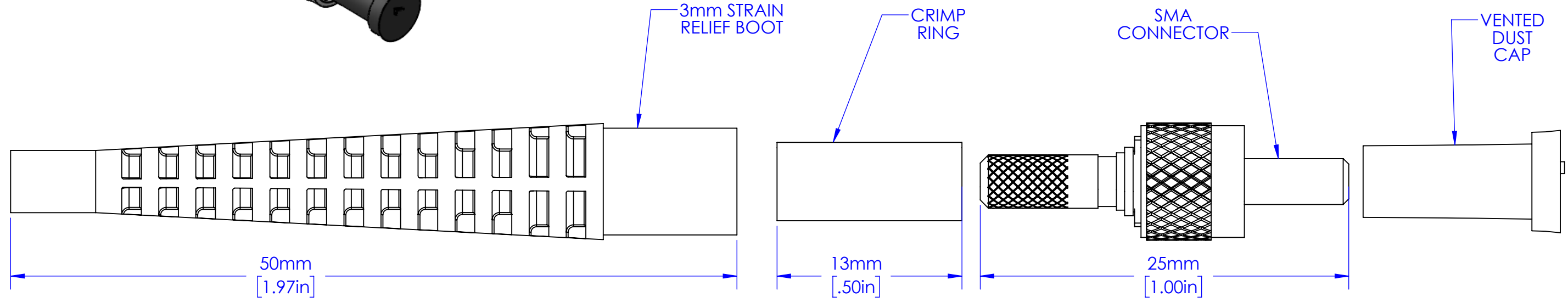
1



REVISIONS					
REV.	DESCRIPTION	ECO	DATE	DWN	APVD
00	Prerelease		09/21/2023	SA	BB
A	Initial release		09/28/2023	SA	BB

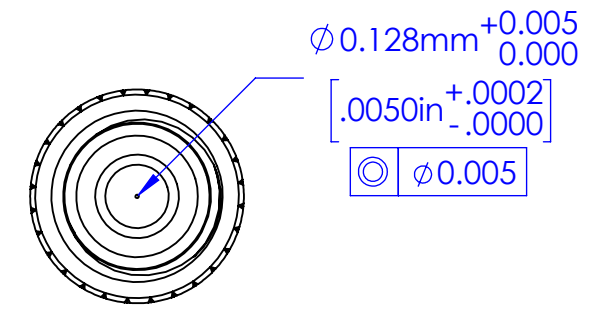
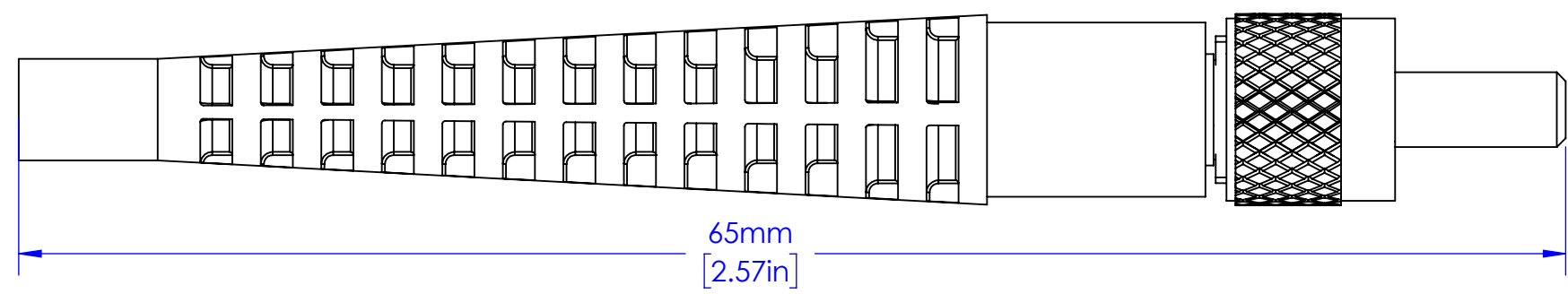
B

B



A

A



NOTES:

- SUITABLE FOR 100/120 GLASS OPTICAL FIBER.
- RoHS COMPLIANT.
- 40°C TO +85°C OPERATING TEMPERATURE.
- IEC 61754-22 COMPATIBLE.
- STAINLESS STEEL FERRULE & NUT; NICKEL PLATED COPPER CRIMP RING.
- MAXIMUM NUT TORQUE: 0.9N-m (8in-lbs).

PROPRIETARY AND CONFIDENTIAL
 THE INFORMATION CONTAINED IN THIS DRAWING IS THE SOLE PROPERTY OF INDUSTRIAL FIBER OPTICS. ANY REPRODUCTION IN PART OR AS A WHOLE WITHOUT THE WRITTEN PERMISSION OF INDUSTRIAL FIBER OPTICS IS PROHIBITED.

DIMENSIONS	MILLIMETERS [IN]	UNLESS OTHERWISE SPECIFIED:	NAME	DATE	INDUSTRIAL FIBER OPTICS TEMPE, AZ 85281	
0 PLC:	±1.0	Customer:	DRAWN	S. Ahmed 9/21/23	TITLE: 128µm Knurled Connector; 3mm Boot	
1 PLC:	±0.3		CHECKED	B. Bidwell 9/22/23		
2 PLC:	±0.13		COMMENTS:			
3 PLC:	±0.025		DIMENSIONS ARE FOR REFERENCE ONLY. NO TOLERANCES MAY BE IMPLIED FROM THIS DOCUMENT.			
4 PLC:	±0.0127	INTERPRET GEOMETRIC TOLERANCING PER:ASME Y14.5-2009			SIZE	DWG. NO.
ANGLE:	±1/2	MATERIAL			B	905-0128-0000
		FINISH			REV	
		Passivated			A	
APPLICATION		DO NOT SCALE DRAWING		SCALE: 1:1		WEIGHT:
						SHEET 1 OF 1

4

3

2

1