

4

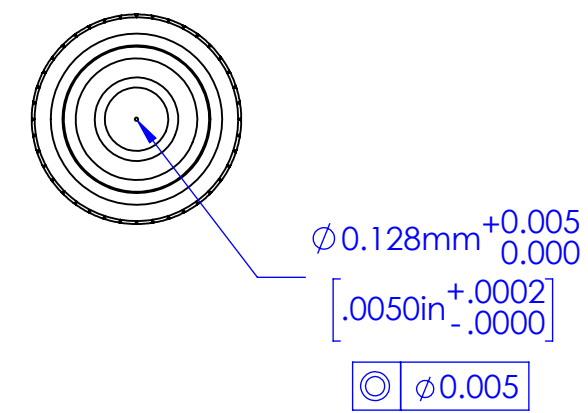
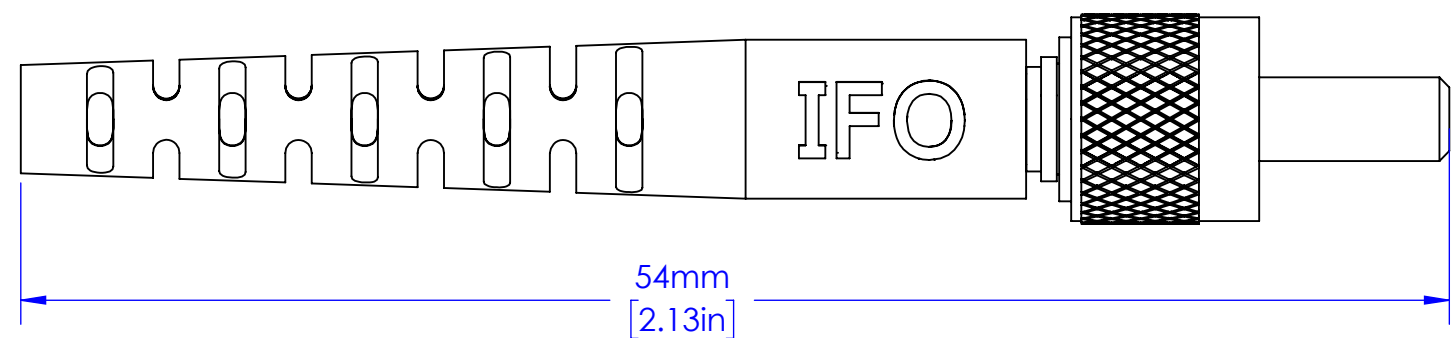
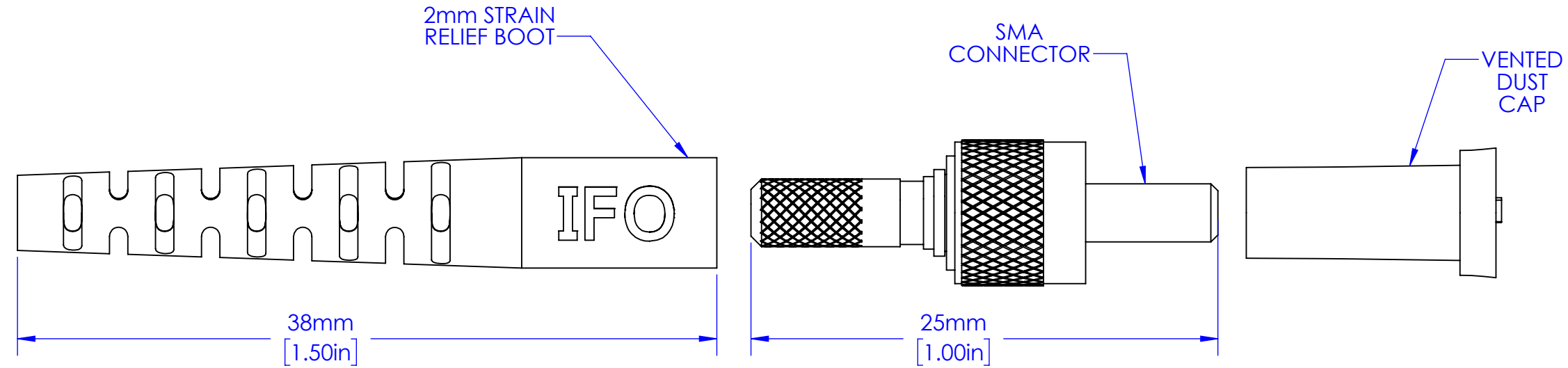
3

2

1



REVISIONS					
REV.	DESCRIPTION	ECO	DATE	DWN	APVD
00	Prerelease		9/21/2023	SA	BB
A	Initial release		10/2/2023	SA	BB



- NOTES:**
- SUITABLE FOR 100/120 GLASS OPTICAL FIBER.
 - RoHS COMPLIANT.
 - 40°C TO +85°C OPERATING TEMPERATURE.
 - IEC 61754-22 COMPATIBLE.
 - STAINLESS STEEL FERRULE AND NUT.
 - MAXIMUM NUT TORQUE: 0.7N-m [8in-lbs].

PROPRIETARY AND CONFIDENTIAL
 THE INFORMATION CONTAINED IN THIS DRAWING IS THE SOLE PROPERTY OF INDUSTRIAL FIBER OPTICS. ANY REPRODUCTION IN PART OR AS A WHOLE WITHOUT THE WRITTEN PERMISSION OF INDUSTRIAL FIBER OPTICS IS PROHIBITED.

DIMENSIONS	MILLIMETERS [IN]	UNLESS OTHERWISE SPECIFIED:	NAME	DATE	INDUSTRIAL FIBER OPTICS TEMPE, AZ 85281		
0 PLC:	±1.0	Customer:	DRAWN	S. Ahmed 9/21/23	TITLE: 128µm Knurled Connector; 2mm Boot		
1 PLC:	±0.3		CHECKED	B. Bidwell 9/22/23			
2 PLC:	±0.13	INTERPRET GEOMETRIC TOLERANCING PER:ASME Y14.5-2009	COMMENTS: DIMENSIONS ARE FOR REFERENCE ONLY. NO TOLERANCES MAY BE IMPLIED FROM THIS DOCUMENT.		SIZE	DWG. NO.	REV
3 PLC:	±0.025				B	905-0128-0010	A
4 PLC:	±0.0127				MATERIAL	Not Applicable	
ANGLE:	±1/2	FINISH	Passivated				
APPLICATION		DO NOT SCALE DRAWING					

4

3

2

1