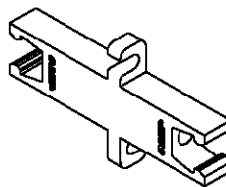


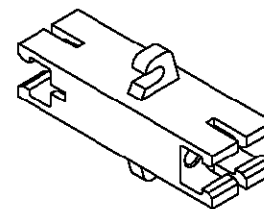
Active-Device Mount



Active-Device Ring



Single-Position
Bulkhead Receptacle



Dual-Position
Bulkhead Receptacle

PART NUMBER	DESCRIPTION	USED WITH
228040-1	Active-Device Mount	TO-92 Devices
		Single-Position Plug Assembly 228087-1
228043-1	Active-Device Mount	Honeywell Sweetspot [■] , TO-18 [●] , TO-46 [●] , and TO-52 [●] Devices
		Single-Position Plug Assembly 228087-1
228709-1	Active-Device Mount	Side Looker Device
		Single-Position Plug Assembly 228087-1
501359-1	Active-Device Mount	Side Looker Device with Lense
		Single-Position Plug Assembly 228087-1
501084-1	Active-Device Ring	For ADM 228043-1 when using TO-18, TO-46, and TO-52 Devices
228042-1	Single-Position Bulkhead Receptacle	Single-Position Plug Assembly 228087-1
228045-1	Dual-Position Bulkhead Receptacle	Single-Position Plug Assembly 228087-1
		Dual-Position Plug Assembly 228088-1

- Trademark of Honeywell, Inc.
- Requires Device Ring 501084-1

Figure 1

1. INTRODUCTION

This instruction sheet covers AMP OPTIMATE Dry Non-Polish (DNP) fiber optic active-device mounts (ADMs) and single- and dual-position bulkhead receptacles listed in Figure 1.

NOTE

Dimensions on this sheet are in millimeters [followed by inch equivalents in brackets]. Figures and illustrations are for identification only and are not drawn to scale.

Reasons for reissue of this document are provided in Section 5, REVISION SUMMARY.

2. DESCRIPTION

Active-device mounts connect single fibers to various active devices (sources and detectors). Four different ADMs are available. Refer to Figure 1.

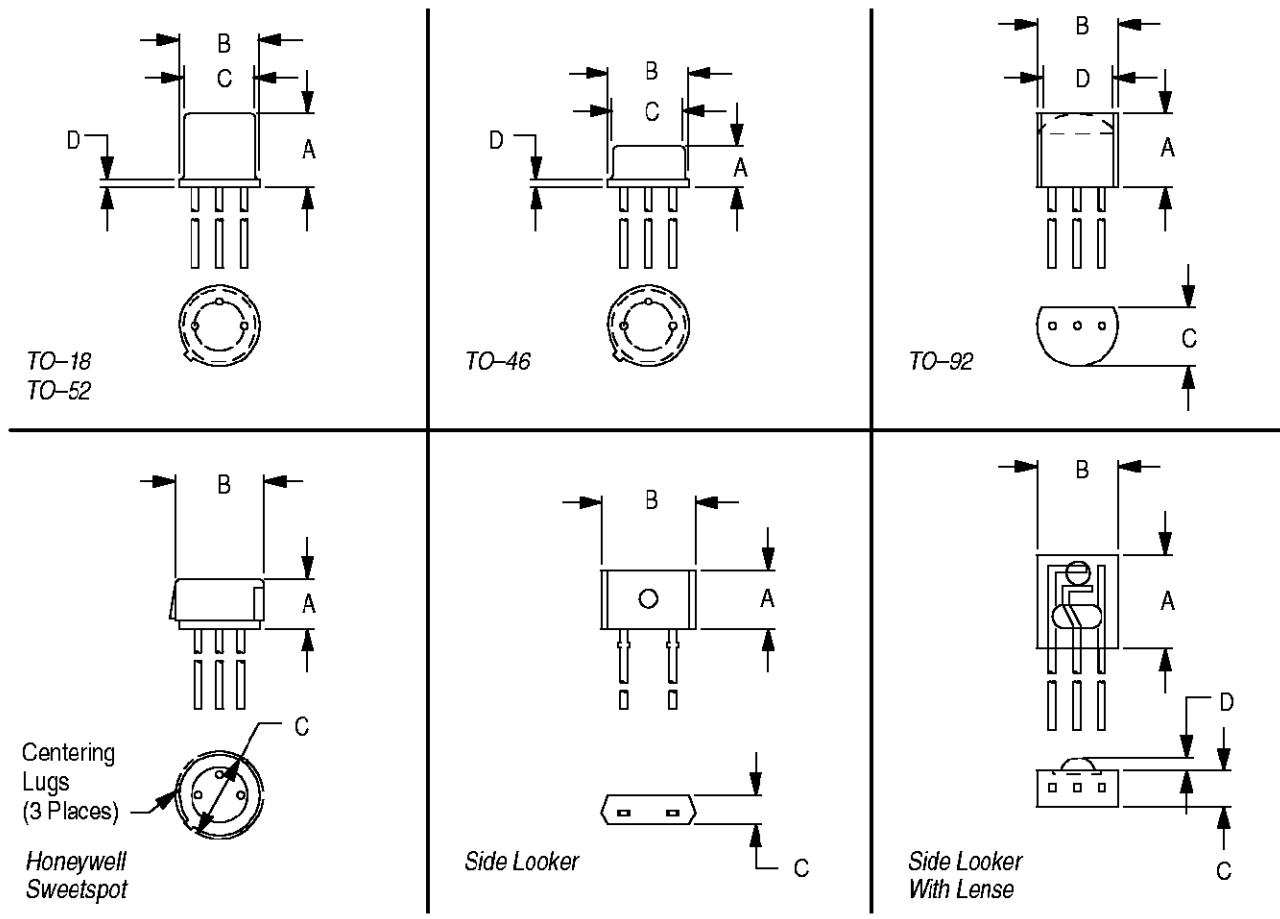
- ADM 228040-1 accepts TO-92 devices.
- ADM 228043-1 accepts the low-cost Honeywell Sweetspot device and devices meeting

JEDEC specifications for TO-18, TO-46, and TO-52 devices. The Honeywell device is held in the ADM by a press fit. Other devices require a device ring that fits around the device to center it in the bore.

- ADM 228709-1 accepts side looker devices.
- ADM 501359-1 is used with side looker devices that have a lense.

ADMs are usually board-mounted horizontally or vertically, and they mate with single-position plugs. Figure 2 shows the dimensions of the active devices which are compatible with the ADMs.

Bulkhead receptacles are used with DNP fiber optic plugs to make fiber-to-fiber connections. Receptacles are available in single- and dual-position versions. Single-position bulkhead receptacles join two single-position plugs. Dual-position receptacles mate with both single- and dual-position plugs. Refer to instruction sheet 408-2974 for information on DNP fiber optic plugs.



ACTIVE DEVICE	A		B		C		D	
	MIN (mm [In.])	MAX (mm [In.])	MIN (mm [In.])	MAX (mm [In.])	MIN (mm [In.])	MAX (mm [In.])	MIN (mm [In.])	MAX (mm [In.])
TO-18	4.32 [.170]	5.33 [.210]	5.31 [.209]	5.84 [.230]	4.52 [.178]	4.95 [.195]	—	0.762 [.030]
TO-46	1.65 [.065]	2.16 [.085]	5.31 [.209]	5.84 [.230]	4.52 [.178]	4.95 [.195]	—	1.02 [.040]
TO-52	2.92 [.115]	3.81 [.150]	5.31 [.209]	5.84 [.230]	4.52 [.178]	4.95 [.195]	—	0.762 [.030]
TO-92	4.32 [.170]	5.33 [.210]	4.45 [.175]	5.20 [.205]	3.18 [.125]	4.19 [.165]	3.43 [.135]	—
Honeywell Sweetspot	4.19 [.165]	4.45 [.175]	5.47 [.215]	5.72 [.225]	5.82 [.229]	6.07 [.239]	—	—
Side Looker	2.79 [.110]	3.30 [.130]	3.43 [.135]	4.70 [.185]	2.03 [.080]	3.18 [.125]	—	—
Side Looker With Lens	5.59 [.220]	5.85 [.230]	4.32 [.170]	4.58 [.180]	1.39 [.055]	1.65 [.065]	0.635 [.025]	0.890 [.035]

Figure 2

3. ASSEMBLY AND INSTALLATION

The following are suggested methods for installing ADMs and bulkhead receptacles. The exact procedure to be used depends on your specific manufacturing and assembly requirements.

3.1. Active-Device Mounts (Figure 3)

1. Prepare pc board for the active device and ADM being used. Refer to the dimensions in Figure 3.

2. Press-fit the active device in the ADM. If installing a TO-18, TO-46, or TO-52 device, slip Device Ring 501084-1 around the device before inserting it into the ADM.

3. Insert the device leads into the pc board.

4. Secure the ADM to the pc board with two No. 2-56 screws and nuts (customer supplied). The ADM can be mounted horizontally or vertically as shown in Figure 3.

5. Solder the device leads to the pc board.

Active-Device Mounts

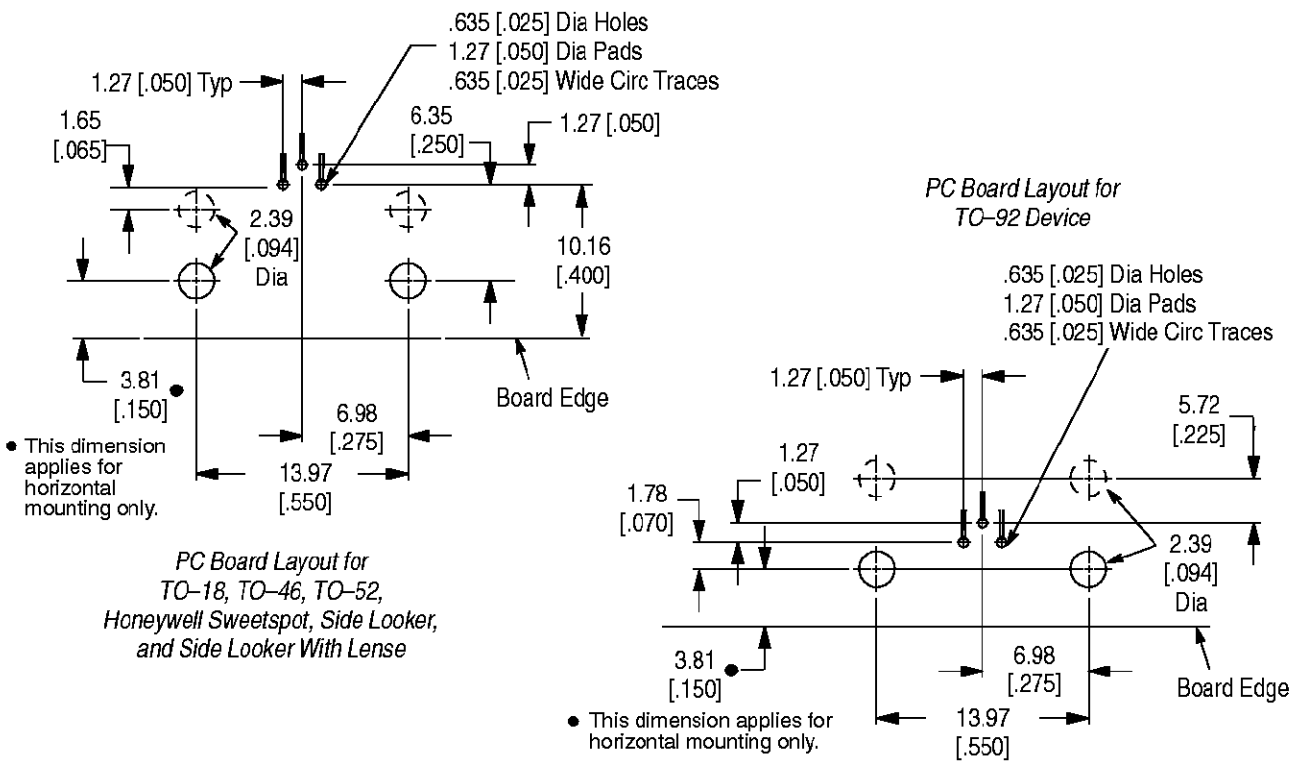
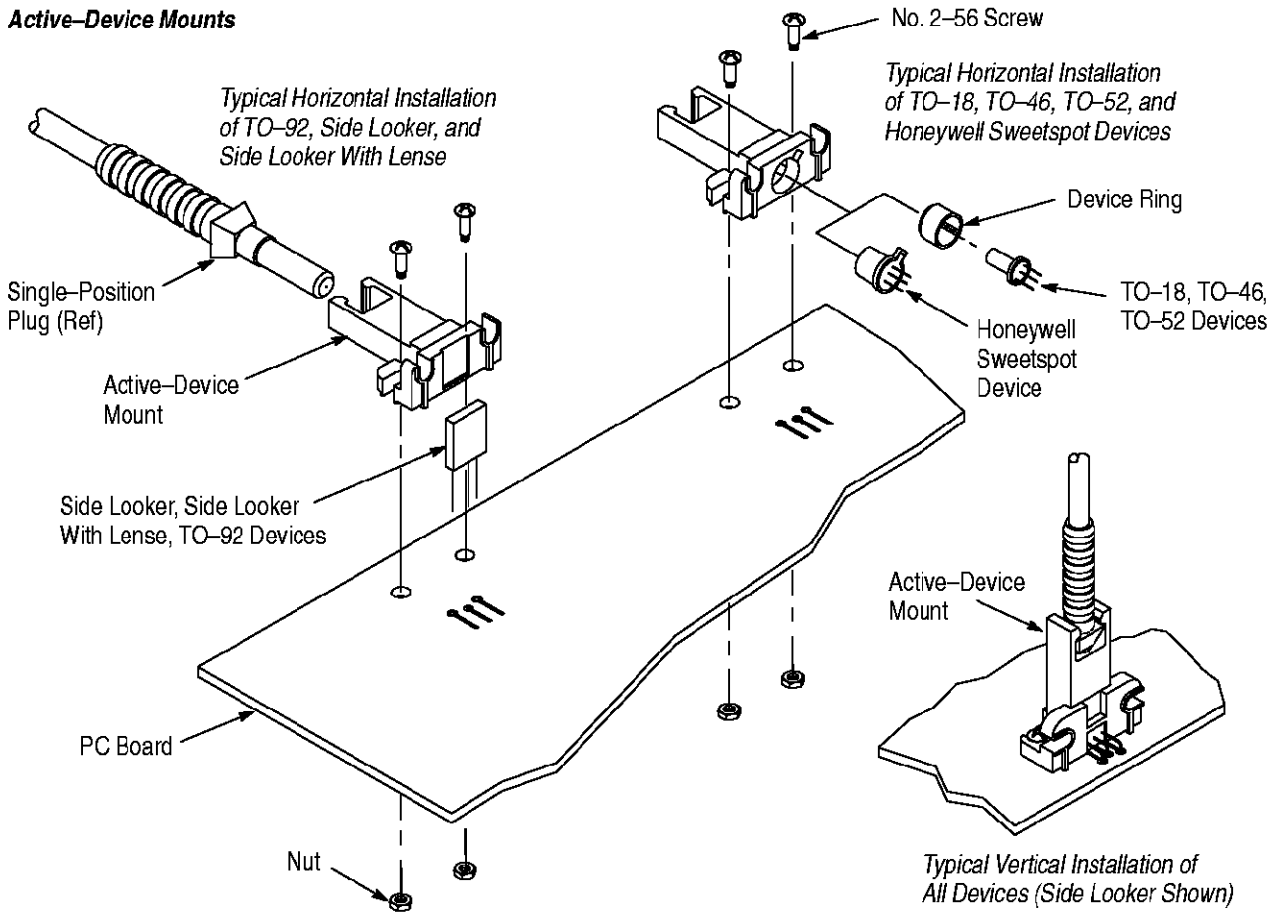


Figure 3

Bulkhead Receptacles

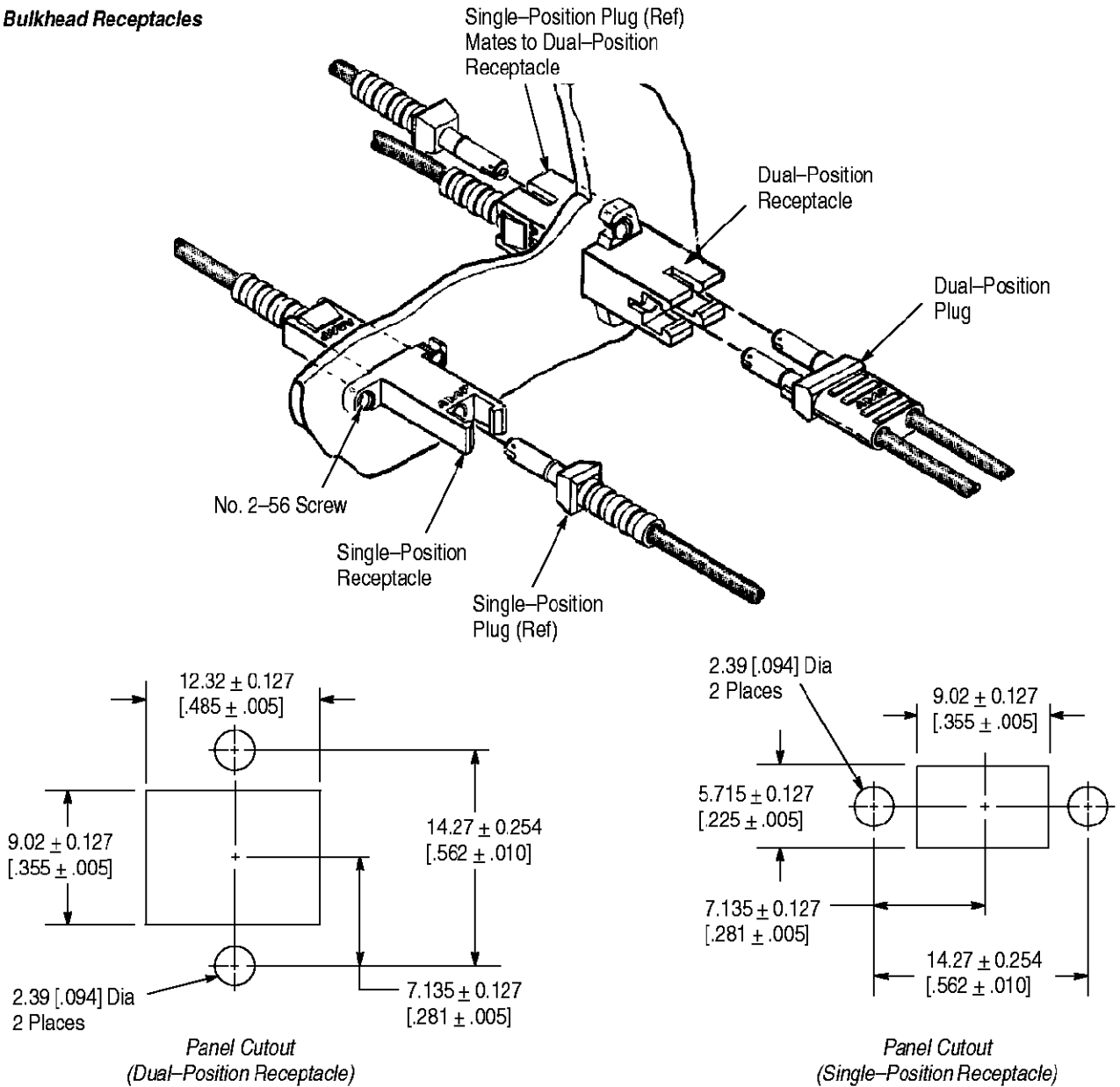


Figure 4

3.2. Bulkhead Receptacles (Figure 4)

1. Prepare cutout in panel for the single- or dual-position receptacle being used. Refer to dimensions in Figure 4.
2. Mount receptacle on panel and secure with two No. 2-56 screws and nuts.

4. ORDERING INFORMATION

Order additional mounts and receptacles through your Tyco Electronics representative, or call 1-800-526-5142, or send a facsimile of your purchase order to 1-717-986-7605, or write to:

CUSTOMER SERVICE (38-35)
TYCO ELECTRONICS CORPORATION
P.O. BOX 3608
HARRISBURG, PA 17105-3608

5. REVISION SUMMARY

Revisions to this document per EC 0990-0670-01:

- Update document to corporate requirements
- Revised Section 2, DESCRIPTION
- Added Section 4, ORDERING INFORMATION