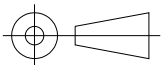


| LENGTH | TOLERANCE |
|------------|-------------|
| 0.1m | +0.03;-0.0m |
| 0.2-0.99m | ± 0.03m |
| 1-5.49m | ± 0.05m |
| 5.5-12.99m | ± 0.1m |
| 13-29.99m | ± 0.15m |
| 30-50m | ± 0.3m |
| 50.1 - 80 | ± 0.5m |

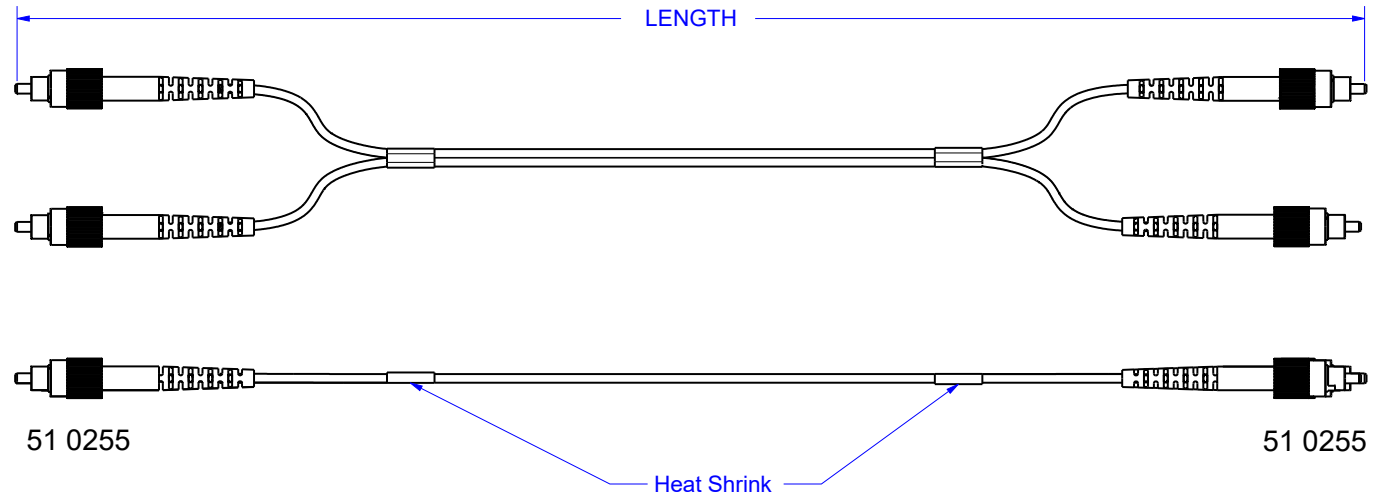
| SERIES | FIBER* |
|---------|-----------------------|
| IF 182D | DC-1000W SH4002 |
| IF 182L | TC-1000W GH4002 |
| IF 182M | TCV-1000W GHV4002 |
| IF 182N | TCF-1000W GHCP4002 |
| IF 182Q | GHTT4002 |



METRIC

REVISIONS

| REV | DESCRIPTION | ECO | DATE | DWN | APVD |
|-----|--------------------------------------------|-------|------------|-----|------|
| A | Initial Release | 00354 | 11/25/2019 | DDH | BB |
| B | Added note regarding material substitution | 00417 | 8/15/2022 | BB | DDH |



*The fiber cable used for the assembly will be based upon the category of cable used for the SERIES. Asahi Kasei and Mitsubishi Eska optical fiber cable are shown, however other manufacturers' cable may be used based on availability.

| | | | | | |
|--------------------------------------------------------------------------------------------|------------|--------------------------------------------|--------------------------|-------|-----------------|
| UNLESS OTHERWISE SPECIFIED DIMENSIONS MILLIMETERS [IN.] | PRODUCT | Industrial Fiber Optics TEMPE, AZ 85281 | | | |
| | MATERIAL | | | | |
| DIMENSIONS ARE FOR REFERENCE ONLY NO TOLERANCES MAY BE IMPLIED FROM THIS DOCUMENT | FINISH | NONE | NAME | | |
| | DRAWN BY | David Hanson | FC Duplex Cable Assembly | | |
| | DATE | 11/25/2019 | SIZE | SCALE | DOCUMENT NUMBER |
| | CHECKED BY | B. Bidwell | A | 1:1 | IF 182x |
| | DATE | 11/25/2019 | DO NOT SCALE DRAWING | | REV B |
| | | | | | 1 OF 1 |